

NECO COUPLINGS

PRODUCT BULLETIN	Type FLA MALE ADAPTER x PIPE FLANGE
-------------------------	--

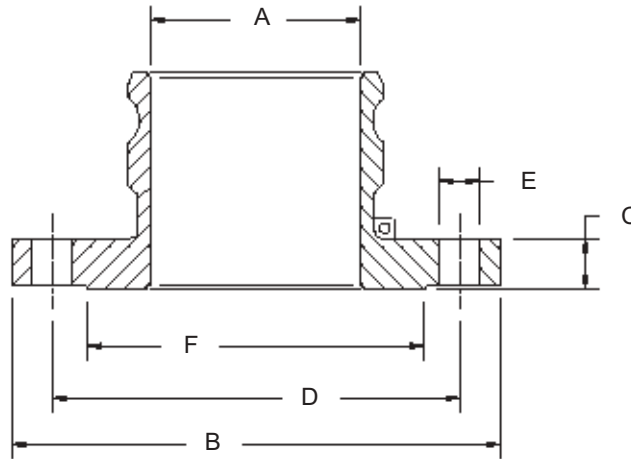
150# Flange x Cam-Lock Adapter:

Stainless Steel	machined Raised Face	Alloy 316
Aluminum	machined Flat Face	Alloy 356 T-6

Standards:

Cam-Lock = MIL-C-27487
 Flange = ASA, ANSI, ASTM, ASME

Interchangeable with all major brands.



A	B	C*	D	E	F	Height of Raised Face	Number of Bolt Holes
Nominal Pipe Size	Diameter of Flange	Thickness of Flange	Diameter of Bolt Circle	Diameter of Holes	Diameter of Raised Face		
2"	6	5/8	4-3/4	3/4	3-5/8	1/16	4
3"	7-1/2	3/4	6	3/4	5	1/16	4
4"	9	15/16	7-1/2	3/4	6-3/16	1/16	8
6"	11	1	9-1/2	7/8	8-1/2	1/16	8

C* = Raised Face is included in thickness of flange

National Equipment Corp.
 1806 Buchanan St.
 Brenham, Tx 77833

TEL: 979/830-8030
 TEL: 800/231-7201
 FAX: 979/830-0983