

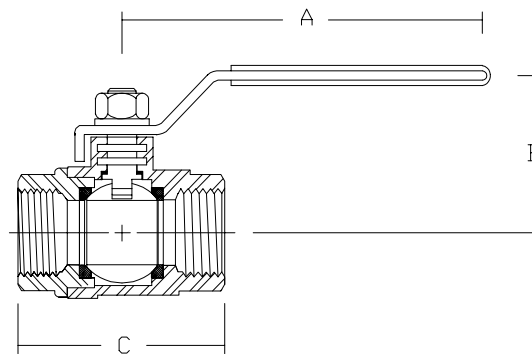
PRODUCT BULLETIN

Brass Ball Valves

- For use in water, oil, gas and air in general service applications.
- Full Port design.
- Blow-out proof stem.
- Double O-ring stem packing.
- Teflon seats.
- Chrome plated ball.
- Tested by air under water.
- End Type: NPT threads
- Working pressure: 600 psi W.O.G.
- Temperature Range : -10° to 400° F



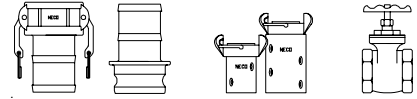
DIMENSIONS



	VBBR025	VBBR038	VBBR050	VBBR075	VBBR100	VBBR125	VBBR150	VBBR200
Size	1/4"	3/8"	1/2"	3/4"	1"	1-1/4"	1-1/2"	2"
A	3.33"	3.33"	3.33"	4.57"	4.57"	5.51"	5.51"	7.28"
B	1.54"	1.54"	1.61"	2.09"	2.28"	2.76"	2.99"	3.19"
C	1.81"	1.81"	2.19"	2.40"	3.03"	3.35"	3.66"	4.29"
Wt	.41#	.43#	.50#	.78#	1.23#	2.17#	2.82#	3.91#

National Equipment Corporation
 1806 Buchanan St.
 Brenham, Tx 77833

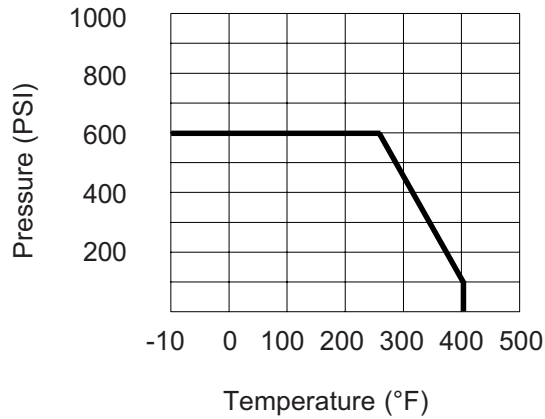
TEL: 979/830-8030
 TEL: 800/933-2316
 FAX: 979/830-0983



PRODUCT BULLETIN

Brass Ball Valves

PRESSURE / TEMPERATURE RATINGS



MATERIALS LIST

PART NAME	SPECIFICATION
BODY	BRASS
END CAP	BRASS
BALL	BRASS
STEM	BRASS
BALL SEAT	PTFE
END SEAL	PTFE
STEM PACKINGS	NBR O-RINGS
HANDLE	STEEL
HANDLE SLEEVE	VINYL GRIP
HANDLE NUT	STEEL

National Equipment Corporation
 1806 Buchanan St.
 Brenham, Tx 77833

TEL: 979/830-8030
 TEL: 800/933-2316
 FAX: 979/830-0983