

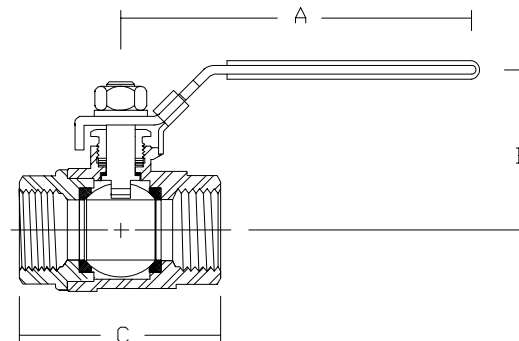
**PRODUCT BULLETIN**

## Stainless Steel Ball Valves

- For use in food and general chemical service applications.
- Adjustable stem packing.
- Blow-out proof stem design.
- Body and end caps 316 SS investment castings.
- Designed for easy actuator mounting.
- 100% tested by air under water, at 100 psi, open and closed positions.
- End Type: NPT threads
- Padlock device.
- Working pressure: 1/4" - 2" = 1000 psi W.O.G.
- 2-1/2" - 3" = 800 psi W.O.G.
- 4" = 600 psi W.O.G.
- Temperature Range: -20° to 450° F



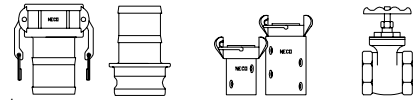
### DIMENSIONS



	VBSS025	VBSS038	VBSS050	VBSS075	VBSS100	VBSS125	VBSS150	VBSS200
Size	1/4"	3/8"	1/2"	3/4"	1"	1-1/4"	1-1/2"	2"
A	3.94"	3.94"	4.72"	4.72"	5.83"	5.83"	6.46"	6.46"
B	1.97"	1.97"	2.20"	2.36"	2.76"	2.95"	3.31"	3.70"
C	2.14"	2.14"	2.35"	2.80"	3.26"	3.63"	4.37"	4.92"
Wt	.57#	.53"	.79#	1.15#	1.87#	2.87#	4.19#	6.50#

**National Equipment Corporation**  
 1806 Buchanan St.  
 Brenham, Tx 77833

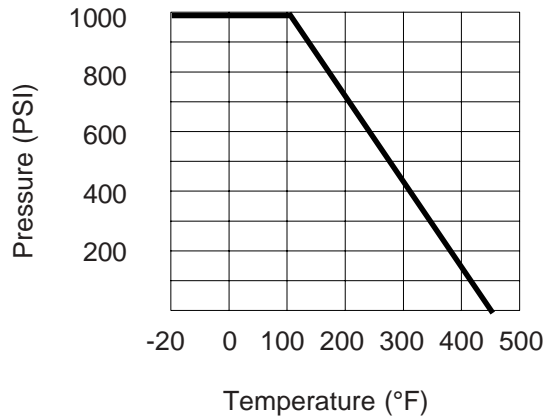
TEL: 979/830-8030  
 TEL: 800/231-7201  
 FAX: 979/830-0983



**PRODUCT BULLETIN**

**Stainless Steel Ball Valves**

**PRESSURE / TEMPERATURE RATINGS**



**MATERIALS LIST**

PART NAME	SPECIFICATION
BODY	SS 316
END CAP	SS 316
BALL	SS 316
STEM	SS 316
BALL SEAT	PTFE
END SEAL	PTFE
STEM PACKINGS	PTFE
HANDLE	SS 304
HANDLE SLEEVE	VINYL GRIP
THRUST WASHER	PTFE
GLAND	SS 304
HANDLE WASHER	SS 304
HANDLE NUT	SS 304
LOCKING PLATE	SS 304

**National Equipment Corporation**  
 1806 Buchanan St.  
 Brenham, Tx 77833

TEL: 979/830-8030  
 TEL: 800/231-7201  
 FAX: 979/830-0983